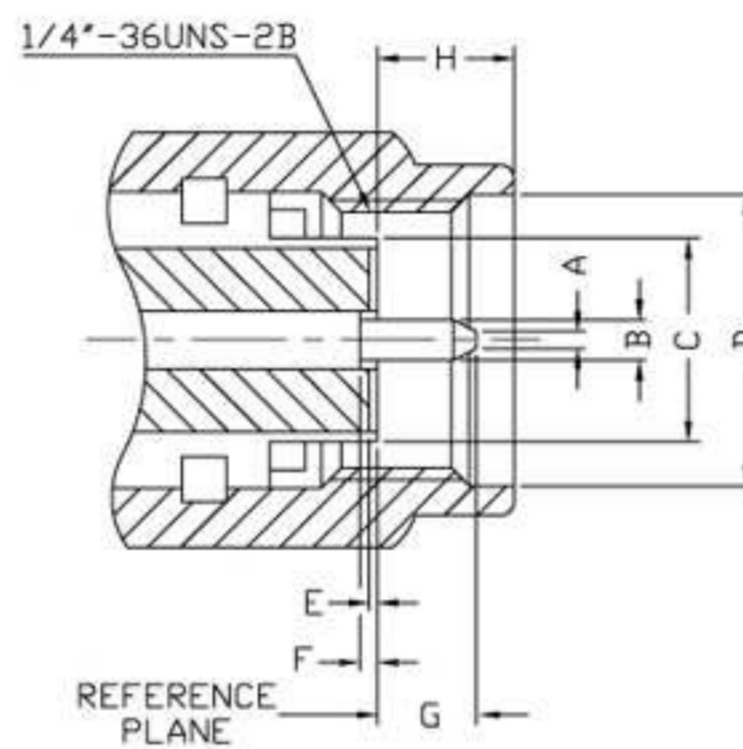


# SMA 27G

50 ohm 0-27 GHz

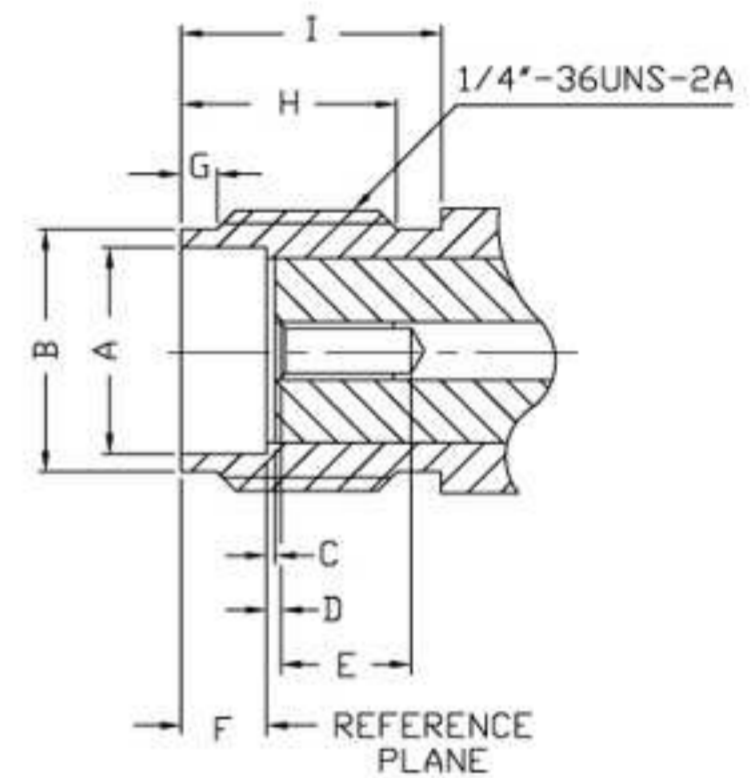
Interface Dimensions:

Chin Nan offers an extended frequency SMA range to meet the coaxial system operation completely through 26.5GHz. They are designed to mate with standard SMA connectors and maintain the same mechanical characteristics. This series includes passivated or gold plated stainless steel bodies, Teflon insulators and gold-plated beryllium copper center contacts.



**PLUG**

Letter	Millimeters (Inches)	
	Minimum	Maximum
A	0.00 (.000)	0.30 (.012)
B	0.90 (.0354)	0.94 (.037)
C	-	4.59 (.1807)
D	6.35 (.250)	-
E	0.00 (.000)	0.13 (.005)
F	0.00 (.000)	0.13 (.005)
G	-	2.54 (.100)
H	-	3.43 (.135)



**JACK**

Letter	Millimeters (Inches)	
	Minimum	Maximum
A	4.60 (.1810)	-
B	5.28 (.208)	5.49 (.216)
C	0.00 (.000)	0.13 (.005)
D	0.00 (.000)	0.13 (.005)
E	2.67 (.105)	-
F	1.88 (.074)	1.98 (.078)
G	0.38 (.015)	1.14 (.045)
H	4.32 (.170)	-
I	5.54 (.218)	-

