

1.0 ELECTRICAL

- 1.1 FREQUENCY RANGE: DC-11 GHz
- 1.2 NOMINAL IMPEDANCE: 50 OHMS
- 1.3 VOLTAGE RATING: 500 VOLTS MAX.
- 1.4 VSWR: 1.3 MAX.

2.0 MATERIALS

- 2.1 BODIES: BRASS PER JIS-C3604
- 2.2 CENTER CONTACT: BERYLLIUM COPPER PER ASTM B196 UNS C17300
- 2.3 INSULATION: TEFLON PER ASTM D1457 AND ASTM D1710
- 2.4 CRIMP FERRULE: BRASS PER JIS-C2700

3.0 FINISHES AND OTHERS

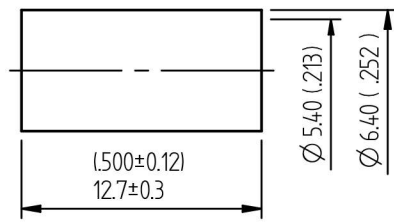
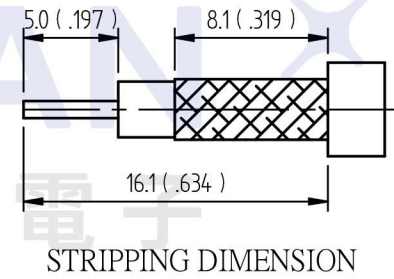
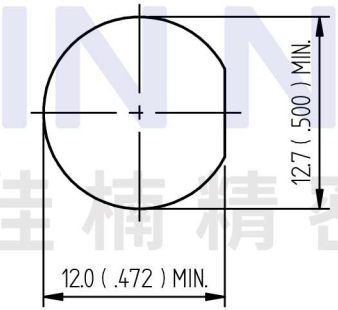
- 3.1 SEE BELOW TABLE FOR DETAILS.

4.0 MECHANICAL

- 4.1 INTERFACE IN ACCORDANCE WITH: MIL-STD-348B
- 4.2 FOR USE WITH RG58 OR SIMILAR STYLE CABLE
- 4.3 CABLE ATTACHMENT: OUTER: CRIMP, INNER: SOLDER
- 4.4 CRIMP SIZE REQUIRED: FERRULE: 5.5(.216) HEX. CRIMP TOOL

5.0 ENVIRONMENTAL

- 5.1 OPERATING TEMPERATURE RANGE: -65° C TO +165° C



8	CRIMP FERRULE	BRASS	1	NICKEL 100 μ " MIN.
7	O-RING	SILICONE	1	BLACK
6	WASHER	STEEL	1	NICKEL 100 μ " MIN.
5	NUT	BRASS	1	NICKEL 100 μ " MIN.
4	CENTER CONTACT	BERYLLIUM COPPER	1	GOLD 3 μ " MIN.
3	INSULATION	TEFLON	1	NONE
2	WASHER	BRASS	1	NICKEL 100 μ " MIN.
1	BODY	BRASS	1	NICKEL 100 μ " MIN.
NO	DESCRIPTION	MATERIAL	Q'TY	FINISH

DESCRIPTION		TNC STRAIGHT BLUKHEAD JACK CRIMP							
製圖	DRAWN	TOLERANCE	品名	40150208008011	58U	日期	DATE	版次	REV.
	Leona								
檢圖	CHECK	單位	UNIT	DWG.NO.	15-0284	SCALE	佳楠精密電子股份有限公司 CHIN NAN PRECISION ELECTRONICS CO.,LTD.		
	Jenny								
認定	APPROVAL	比例	SCALE	CHIN NAN 佳楠精密電子					
	Jenny								
		ANGLE	$\pm 5^\circ$						