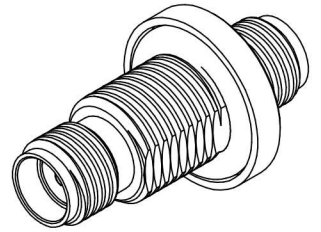
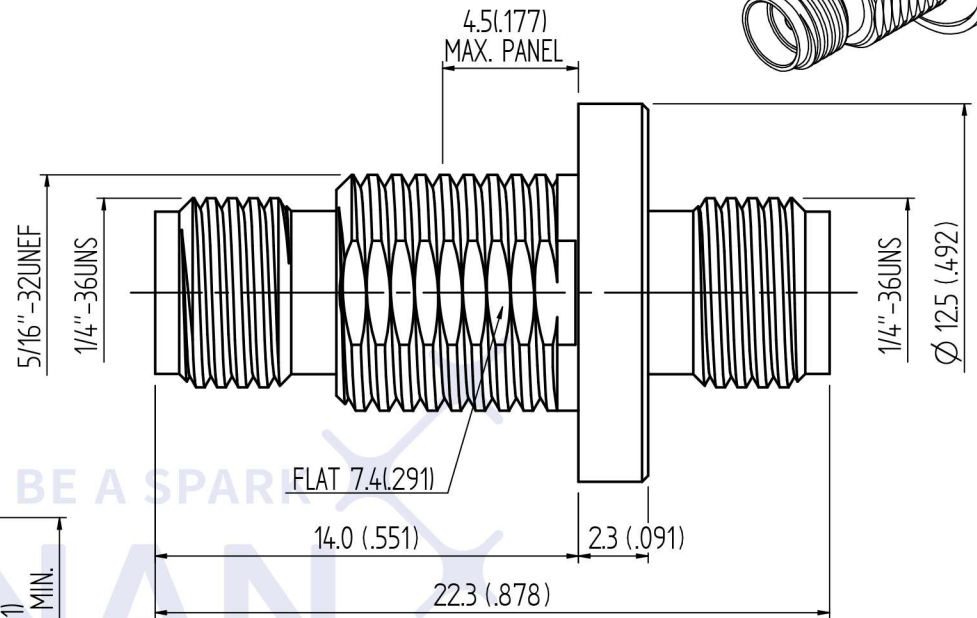


MOUNTING HOLE



1.0 ELECTRICAL

- 1.1 FREQUENCY RANGE: DC-18 GHz
- 1.2 NOMINAL IMPEDANCE: 50 OHMS
- 1.3 VOLTAGE RATING: 500 VOLTS MAX.
- 1.4 VSWR: 1.23 MAX. @18 GHz
1.2 MAX. @6.1 GHz

2.0 MATERIALS

- 2.1 BODIES: STAINLESS STEEL PER JIS SUS 303
- 2.2 CENTER CONTACT: BERYLLIUM COPPER PER ASTM B196 UNS C17300
- 2.3 INSULATION: TEFLON PER ASTM D1457 AND ASTM D1710

3.0 FINISHES AND OTHERS

- 3.1 SEE BELOW TABLE FOR DETAILS.

4.0 MECHANICAL

- 4.1 INTERFACE IN ACCORDANCE WITH: MIL-STD-348A

5.0 ENVIRONMENTAL

- 5.1 OPERATING TEMPERATURE RANGE: -65° C TO +165° C

6	O-RING	SILICONE	1	BLACK
5	INSULATION	TEFLON	1	NONE
4	CENTER CONTACT	BERYLLIUM COPPER	1	GOLD 50 μ" MIN. OVER ELECTROLESS NICKEL 50 μ" MIN.
3	BODY	STAINLESS STEEL	1	GOLD 3 μ" MIN. OVER ELECTROLESS NICKEL 50 μ" MIN.
2	WASHER	STAINLESS STEEL	1	GOLD 3 μ" MIN. OVER ELECTROLESS NICKEL 50 μ" MIN.
1	NUT	STAINLESS STEEL	1	GOLD 3 μ" MIN. OVER ELECTROLESS NICKEL 50 μ" MIN.
NO	DESCRIPTION	MATERIAL	Q'TY	FINISH

DESCRIPTION		STARAIGHT SMA BULKHEAD JACK - JACK ADAPTER						
製圖	DRAWN	TOLERANCE	品名	40191201900028	日期	DATE	版次	REV.
	<i>Frank</i>							
檢圖	CHECK	單位	UNIT	DWG.NO.	19-0270-5G			
	<i>Jenny</i>							
認定	APPROVAL	比例	SCALE					
	<i>Jenny</i>							
		ANGLE	±5°					



佳楠精密電子股份有限公司
CHIN NAN PRECISION ELECTRONICS CO.,LTD.